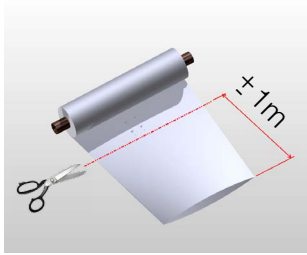


Mounting Instructions for installation of the KE GrowAir® ducts

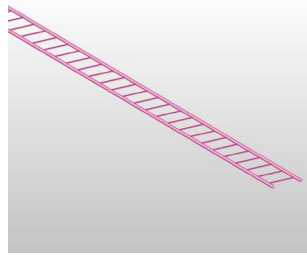
In this installation guide you will find instructions of how to install the KE GrowAir® duct solutions for greenhouses. All rights belong to KE GrowAir B.V., and the contents of this guide may not be copied without permission from KE GrowAir B.V.. Please, contact us for further instructions or read more on www.ke-growair.nl.



1)



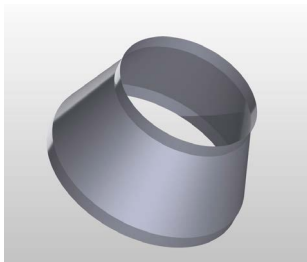
KE GrowAir® duct



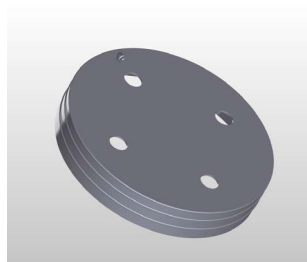
Ladder cord



Clamp



Cone



End cap

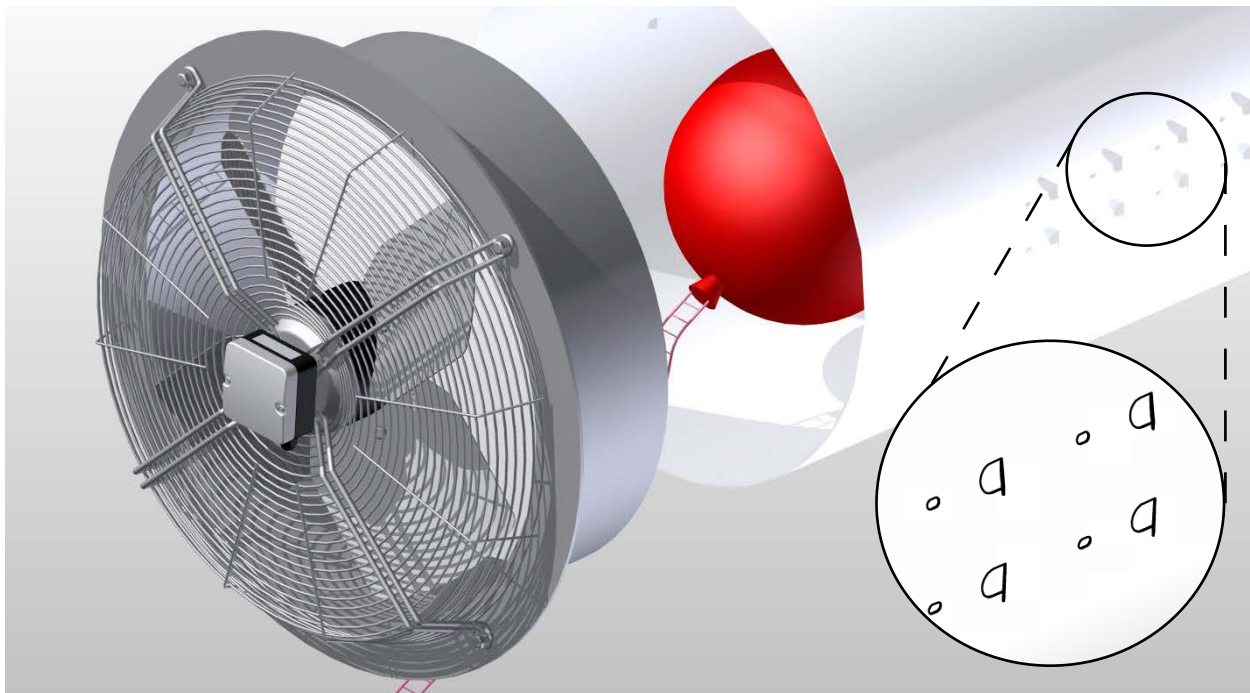


S-hook

What's in the box?

In the box you will find what you need to install the KE GrowAir® system. Depending on the solution some of the above items may not be included.

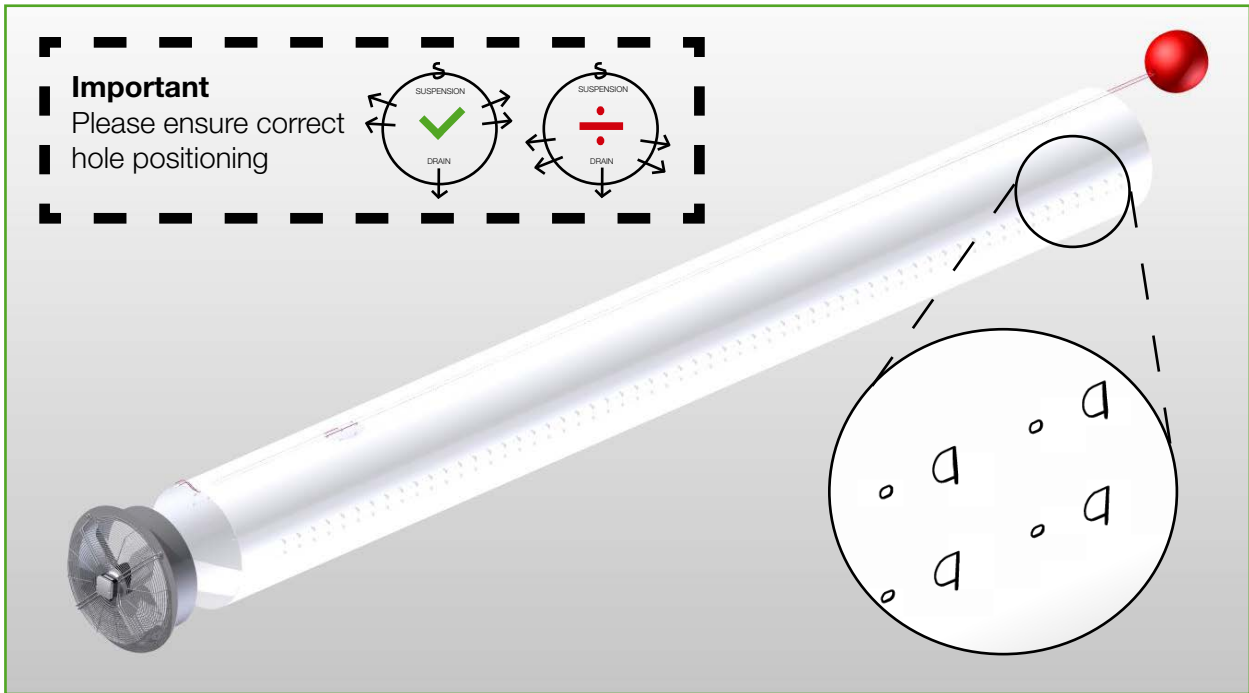
2a)



Make sure that the direction of the air is correct according to the hole pattern. Tie the ladder cord to a balloon or a bag with air and put it into the duct. The ladder cord should be able to roll easily with the balloon/bag with air as it goes through the duct.

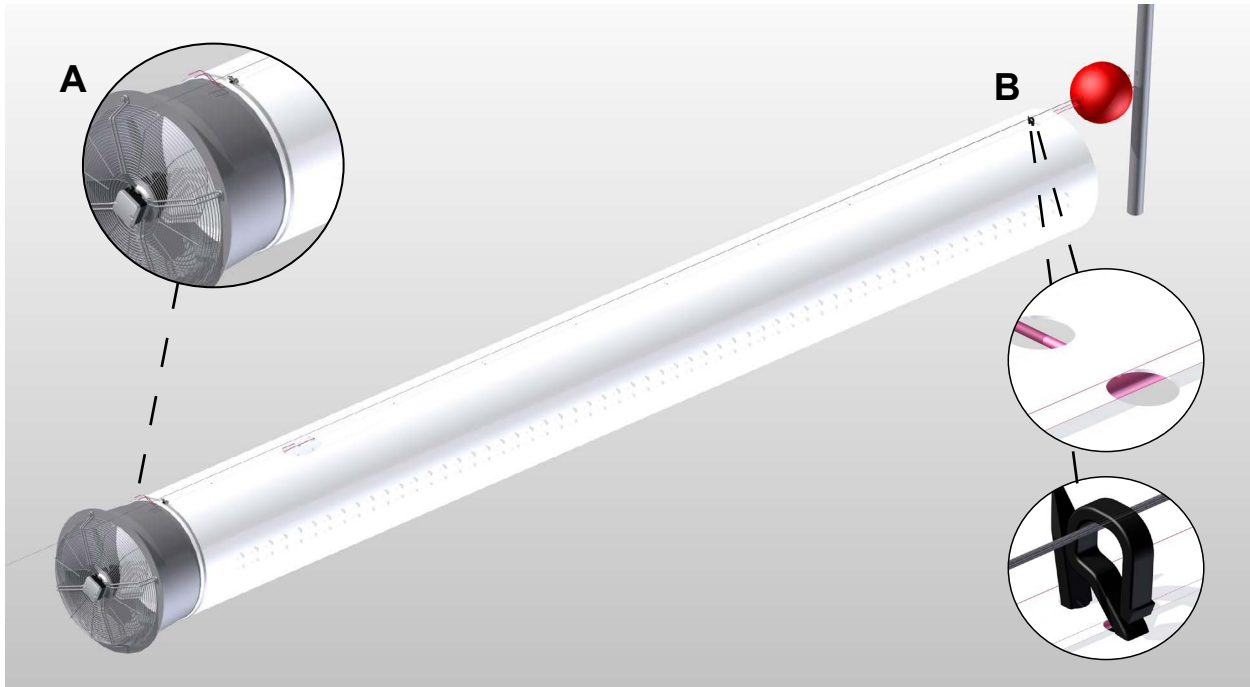
Important
Note the direction of the baffles above

2b)



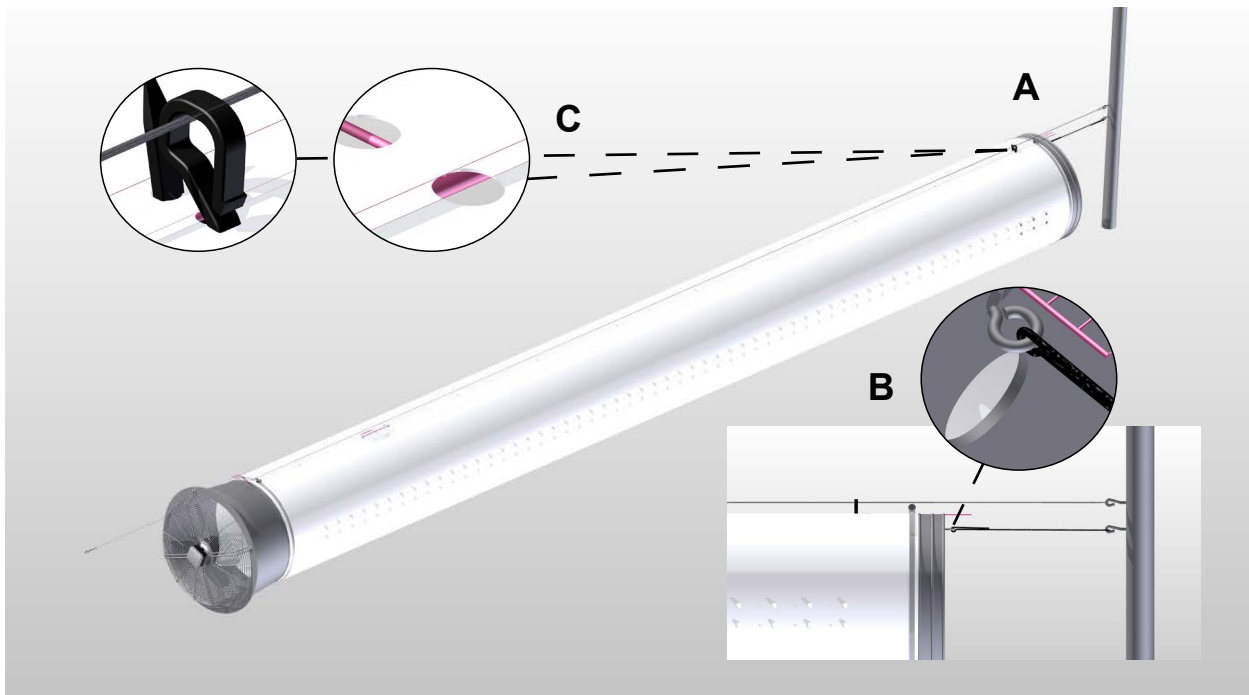
Blow the balloon or bag with air with the ladder cord through the KE GrowAir® duct by using the ventilator. Make sure that the direction of the air is correct according to the hole pattern. Please observe the direction of the middle row baffles at **3 and 9 o'clock** and the upper row baffles at **2 and 10 o'clock**. This is the upside of the duct where the S-hooks will fix the duct below the gutter.

3)



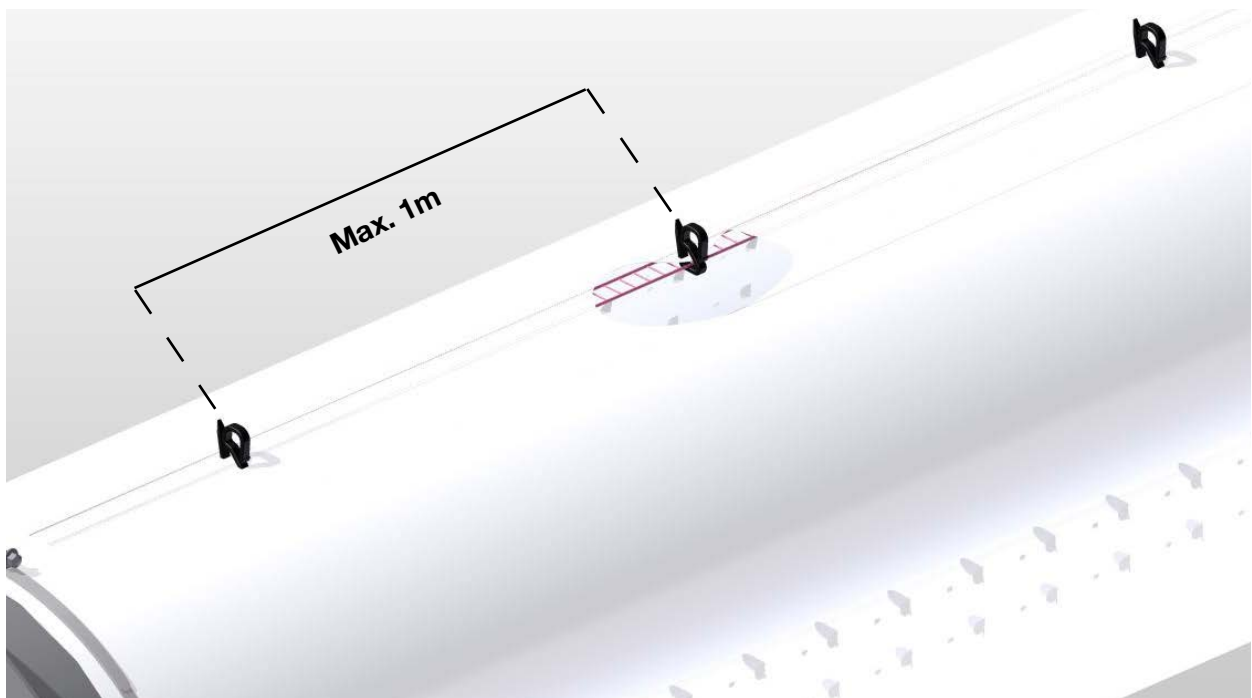
- A. Turn off the ventilator and mount the KE GrowAir® duct with clamp to the ventilator or cone. Please observe the direction of the baffles middle row at **3 and 9 o'clock** and the upper row baffles at **2 and 10 o'clock**. Also secure the ladder cord with the clamp on the ventilator or cone.
- B. Turn on the ventilator and mount one S-hook at the end of the duct catching the ladder cord through the precut holes on the top of the duct.

4)



- A. Mount end cap with clamp and secure the ladder cord with the clamp. Keep a little tension on the ladder cord when tightening the clamp.
- B. Mount rubber string or chain on the end cap. Apply tensioning on the duct by tying it to a fixation point.
- C. Mount the remaining S-hooks. Max. distance allowed is 1m.

5)



Insert the "S-hooks" through the precut holes and make sure that they catch the ladder cord in the duct.

KE GrowAir B.V.
Edisonweg 11
3291 CK Strijen
Nederland

Tel. (+31) 078 674 8475
Fax (+31) 078 674 8476
info@ke-growair.nl
www.ke-growair.nl

