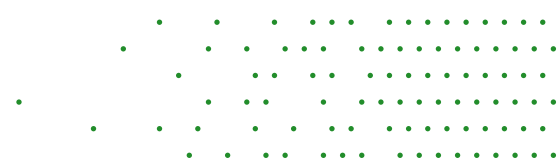


Greenhouse Air Solutions



Mounting Instructions for installation of the KE GrowAir® ducts

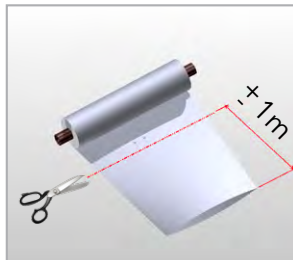
In this installation guide you will find instructions of how to install the KE GrowAir® duct. All rights belong to KE GrowAir B.V. and the contents of this guide may not be copied without permission from KE GrowAir B.V. Please contact us for further instructions or read more at www.ke-growair.nl



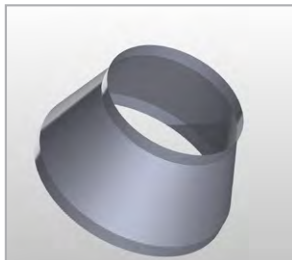
What's in the box?

In the box you will find what you need to install the KE GrowAir® system. Depending on the solution some of the above items may not be included.

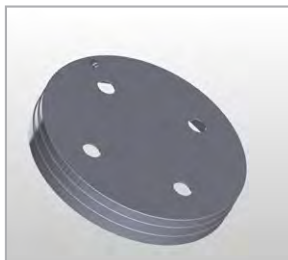
1)



KE GrowAir® duct



KE GrowAir® plenum



KE GrowAir® end cap



Ladder string



S-hook



Polyester clamping strip



Handtool for Polyester clamping strip



RVS clamping strip

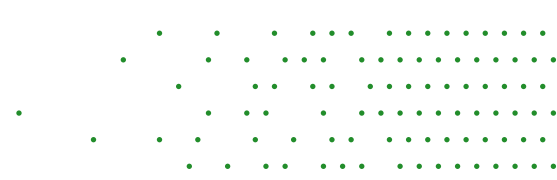
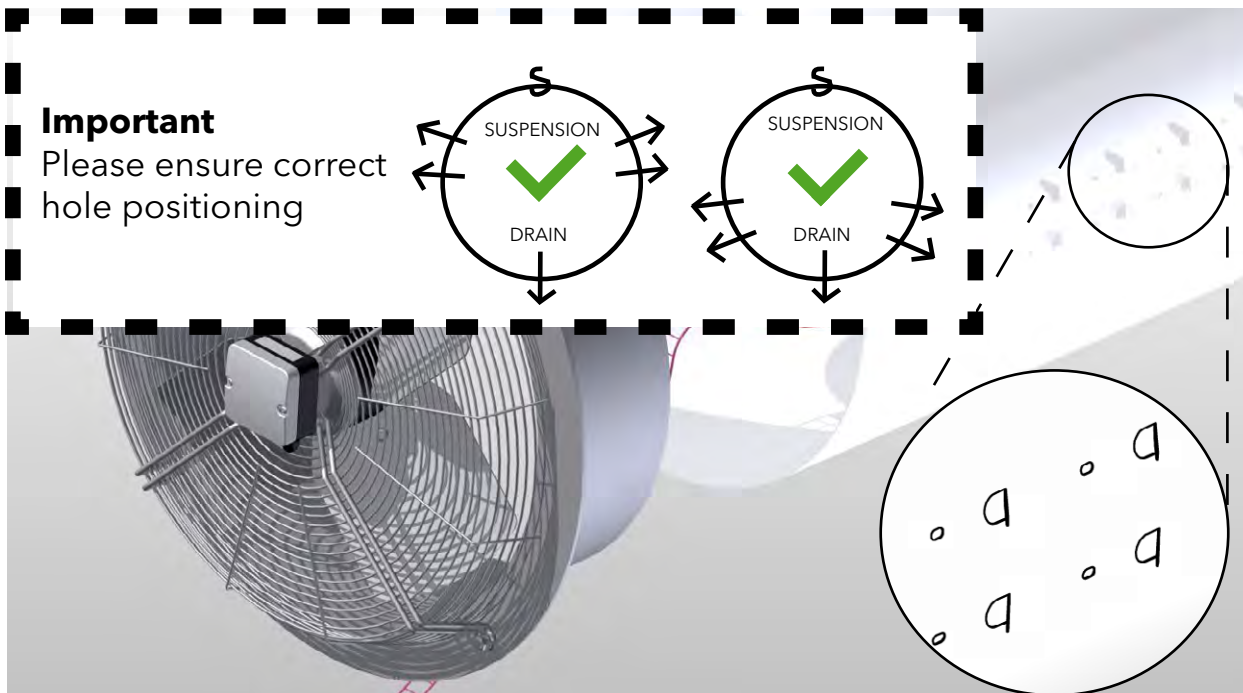
IMPORTANT

Make sure that the direction of the air is correct according to the direction of the baffles and the air pattern upwards or downwards.

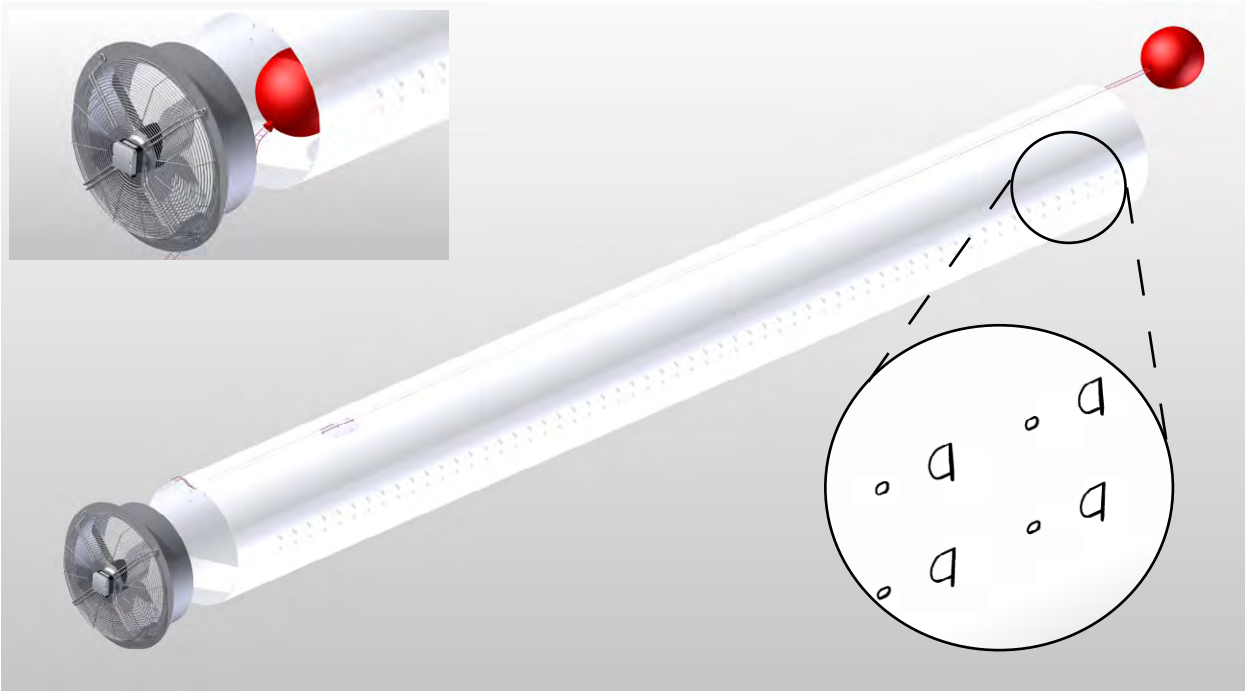
2a)

Important

Please ensure correct hole positioning

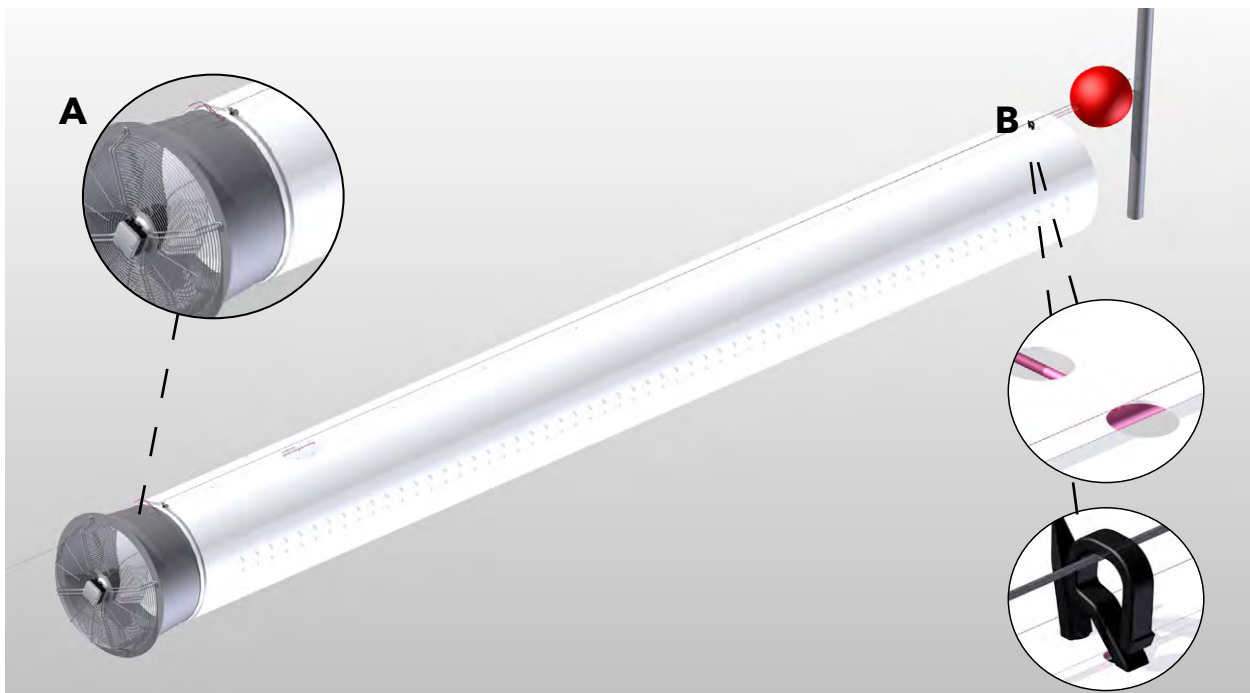


2b)



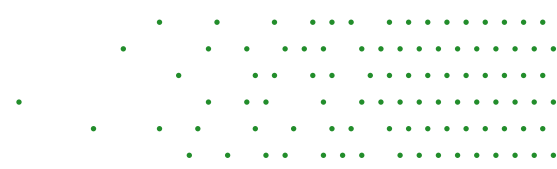
Tie the ladder string to a balloon or a bag with air and put into the KE GrowAir® duct. The ladder string should be able to roll easily with the balloon/bag with air as it goes through the duct. Blow the balloon or bag with air with the ladder string through the duct by using the ventilator.

3)

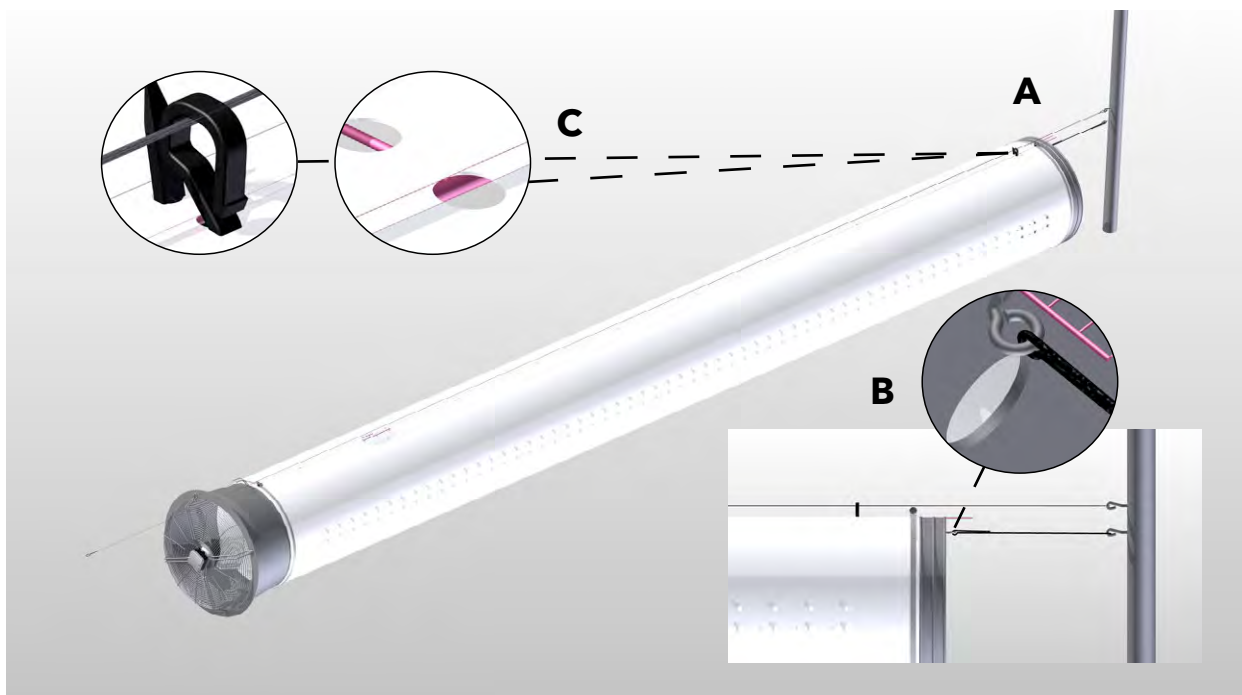


A. Turn off the ventilator and mount the KE GrowAir® duct with clamp to the ventilator or Plenum. Secure the ladder string with the clamp on the ventilator or plenum.

B. Turn on the ventilator and mount one S-hook at the end of the KE GrowAir® duct catching the ladder string through the precut holes on the top of the duct.

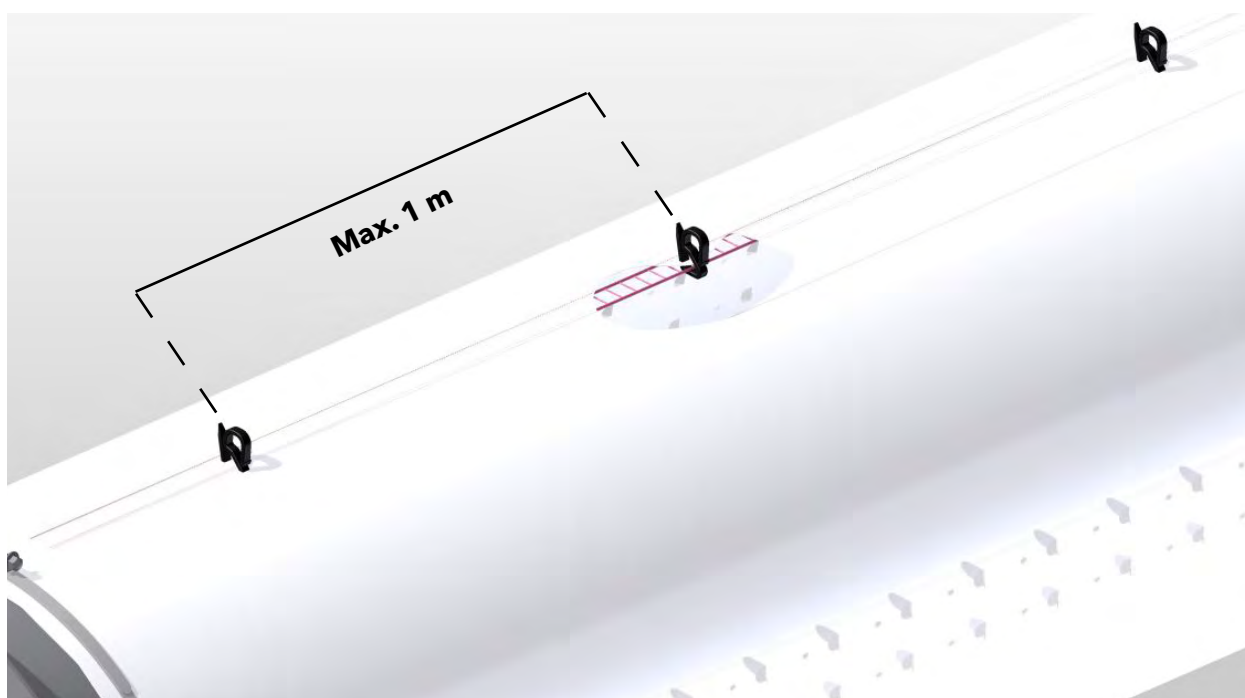


4)



- A. Mount end cap with clamp and secure the ladder string with the clamp. Keep a little tension on the ladder string when tightening the clamp.
- B. Mount rubber string or chain on the end cap. Apply tensioning on the KE GrowAir® duct by tying it to a fixation point.
- C. Mount the remaining S-hooks. Max. distance allow 1 m.

5)



Insert the S-hooks through the precut holes and make sure that they catch the ladder string in the duct.

